

Figure 33

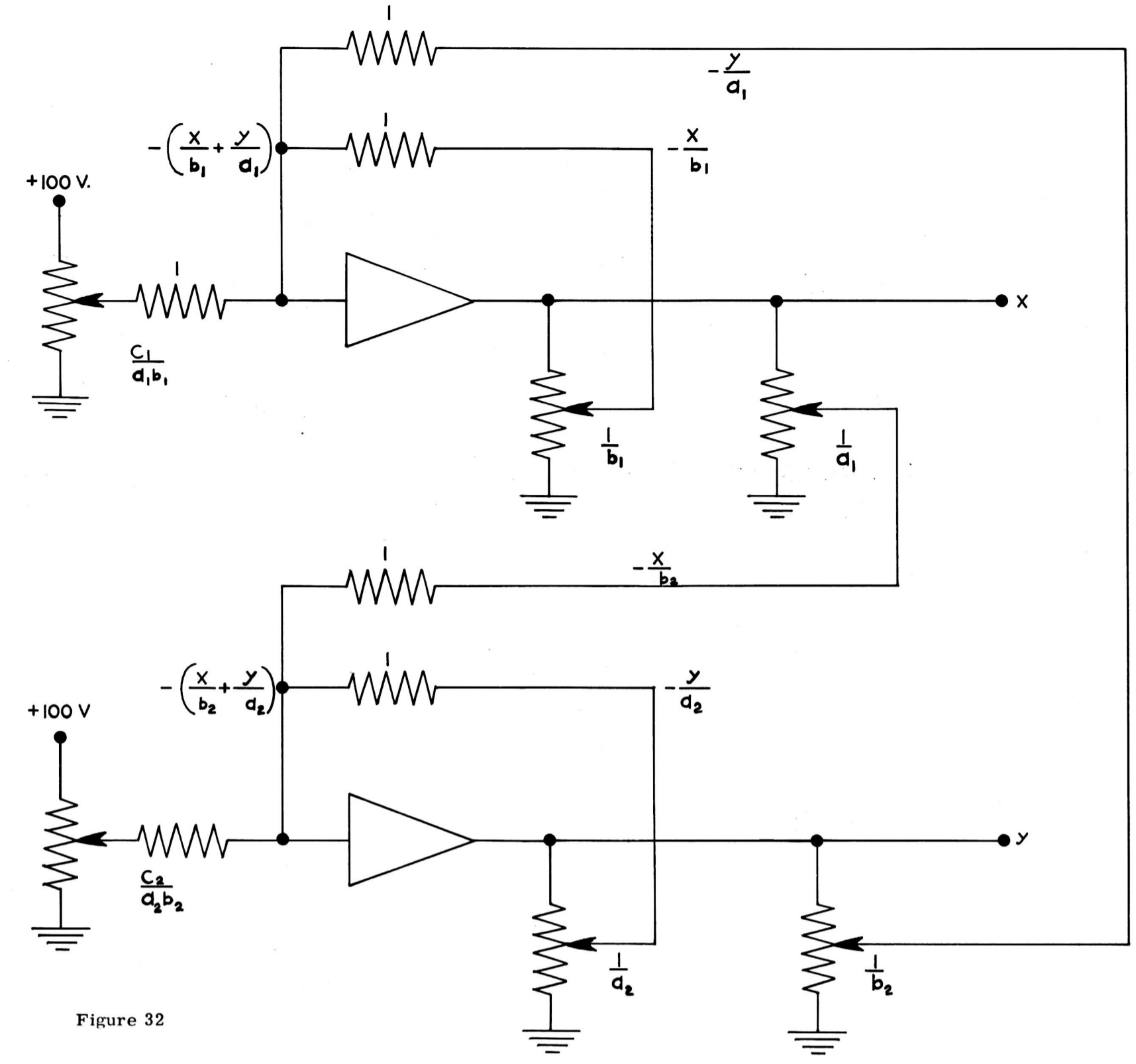


Figure 32

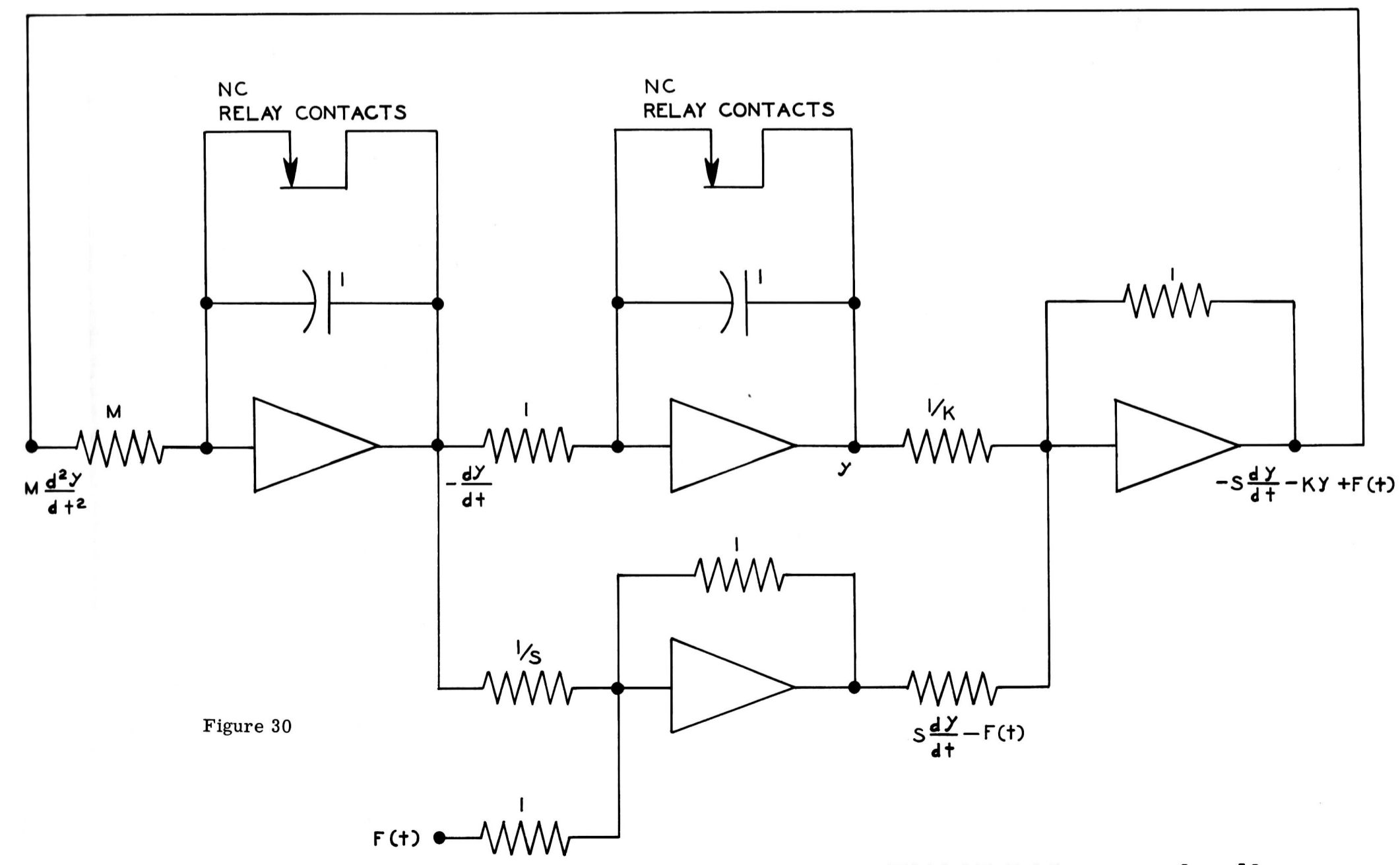


Figure 30